



HEIDENHAIN



Product Information

ECN 1324S **EQN 1336S**

Absolute Rotary Encoders
with DRIVE-CLiQ Interface
for Safety-Related
Applications

Firmware 53



06/2022

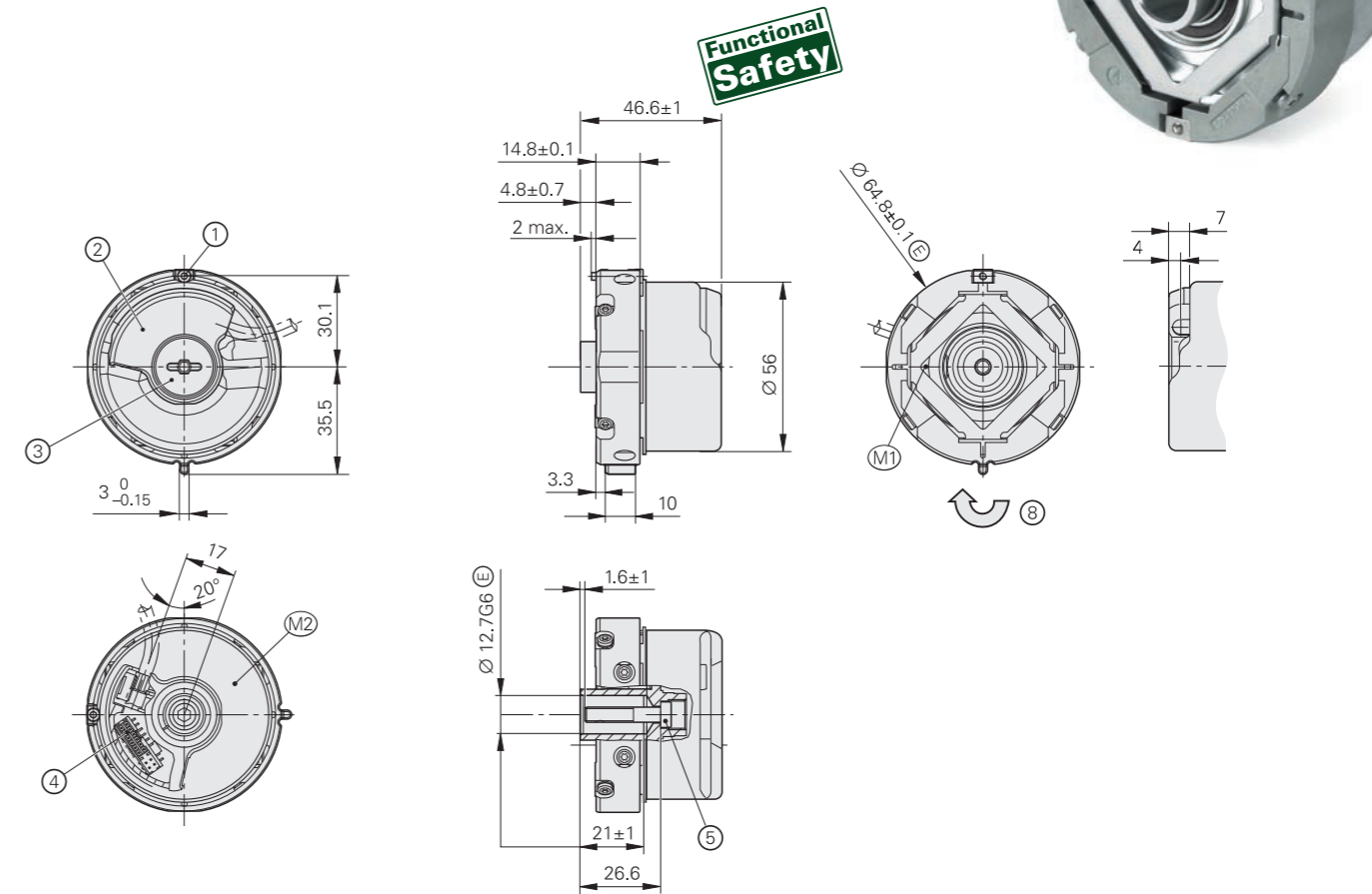
Specifications	ECN 1324S singleturn	EQN 1336S multiturn
Vibration 55 Hz to 2000 Hz Shock 6 ms	≤ 300 m/s ² (EN 60068-2-6); 10 Hz to 55 Hz constant over 4.9 mm peak to peak ≤ 2000 m/s ² (EN 60068-2-27)	
Operating temperature	-40 °C to 100 °C	
Trigger threshold of exceeded temperature error message	117 °C in the scanning ASIC (measuring accuracy of internal temperature sensor: ±2 K at 117 °C)	
Relative humidity	≤ 93% (40 °C/21 d as per EN 60068-2-78), condensation excluded	
Protection rating EN 60529	IP40 (read about insulation under <i>Electrical safety</i> in the <i>Interfaces of HEIDENHAIN Encoders</i> brochure; contamination from the ingress of fluids must be avoided)	
Mass	≈ 0.3 kg	
ID number	1179144-02 1179144-52 ¹⁾	1179145-03

¹⁾ In collective package

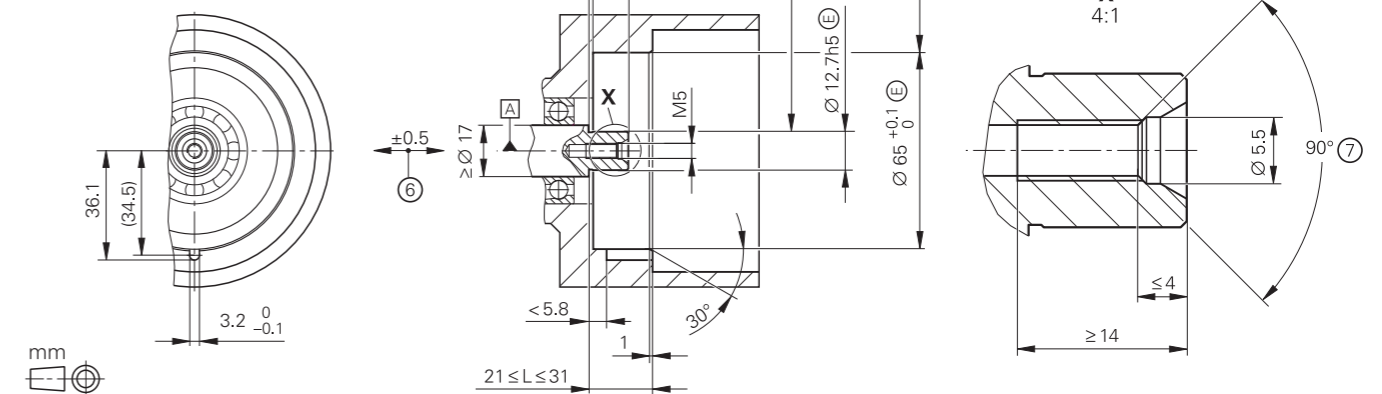
ECN 1324S, EQN 1336S

Rotary encoders for absolute position values with safe singleturn information

- 65 mm installation diameter
- 07B expanding ring coupling
- 67M blind hollow shaft for axial clamping



Required mating dimensions



mm
Tolerancing ISO 8015
ISO 2768:1989-mH
≤ 6 mm: ±0.2 mm

- ▣ = Bearing of mating shaft
- M1 = Measuring point for operating temperature
- M2 = Measuring point for vibration (see D741714)
- 1 = Clamping screw for coupling ring: width A/F 2; tightening torque: 1.25 Nm -0.2 Nm
- 2 = Die-cast cover
- 3 = Screw plug: widths A/F 3 and 4; tightening torque: 5 Nm +0.5 Nm
- 4 = 16-polig (12+4-polig) PCB connector
- 5 = Screw: DIN 6912 – M5x25 – 08.8 – MKL; width A/F 4; tightening torque: 5 Nm +0.5 Nm
- 6 = Compensation of mounting tolerances and thermal expansion; no dynamic movement permitted
- 7 = Chamfer at start of thread is obligatory for material bonding anti-rotation lock
- 8 = Direction of shaft rotation for ascending position values

Specifications	ECN 1324S singletum	EQN 1336S multitum
Functional safety for applications with up to	As a single-encoder system for monitoring functions and closed-loop functions <ul style="list-style-type: none"> SIL 2 as per EN 61508 (further basis for testing: IEC 61800-5-3) Category 3, PL d, according to EN ISO 13849-1:2015 Safe in the singletum range	
PFH ¹⁾	$\leq 27 \cdot 10^{-9}$ (probability of dangerous failure per hour)	
Safe position ²⁾	Encoder: $\pm 1.76^\circ$ (safety-related measuring step: SM = 0.7°) Mechanical coupling: $\pm 2^\circ$ (fault exclusion for loosening of the shaft coupling and stator coupling, designed for accelerations of $\leq 300 \text{ m/s}^2$)	
Interface/ordering designation	DRIVE-CLiQ / DQ01	
Firmware	01.32.26.53	
SINAMICS, SIMOTION ³⁾	\geq V4.4 HF4	
SINUMERIK with safety ³⁾	\geq V4.4 SP2	
SINUMERIK without safety ³⁾	\geq V4.4 SP1 HF3	
Position values per revolution	16777216 (24 bits)	
Revolutions	–	4096 (12 bits)
Calculation time TIME_MAX_ACTVAL ⁴⁾	$\leq 8 \mu\text{s}$	
System accuracy	$\pm 20''$	
Electrical connection	PCB connector: 16-pin (12+4-pin); with connection for an external temperature sensor ⁵⁾	
Cable length	< 40 m (for the calculation, see the <i>Cables and Connectors</i> brochure)	
Supply voltage	DC 24 V (10 V to 28.8 V); up to DC 36.0 V possible without compromising functional safety	
Power consumption ⁶⁾ (maximum)	At 10 V: $\leq 950 \text{ mW}$; at 28.8 V: $\leq 1000 \text{ mW}$	At 10 V: $\leq 1050 \text{ mW}$; at 28.8 V: $\leq 1150 \text{ mW}$
Current consumption (typical)	At 24 V: 38 mA (without load)	At 24 V: 43 mA (without load)
Shaft	Blind hollow shaft for axial clamping ($\varnothing 12.7 \text{ mm}$)	
Shaft speed	$\leq 12000 \text{ rpm}$ (at ≥ 2 position requests per rev.)	
Starting torque (typical)	0.01 Nm (at 20 °C)	
Moment of inertia of rotor	$3.6 \cdot 10^{-6} \text{ kgm}^2$	
Angular acceleration of rotor	$\leq 5 \cdot 10^4 \text{ rad/s}^2$	
Axial motion of measured shaft	$\leq \pm 0.5 \text{ mm}$	

¹⁾ For use at $\leq 1000 \text{ m}$ above sea level ($\leq 6000 \text{ m}$ above sea level upon request)

²⁾ Further tolerances may arise in the downstream electronics after position value comparison (contact mfr.)

³⁾ See Siemens document "Certified encoders with DRIVE-CLiQ Dependencies on SIMOTION / SINUMERIK and SINAMICS Hardware and Software versions"

⁴⁾ The calculation time TIME_MAX_ACTVAL specifies the time after which data transfer from the encoder to the control can start within the current-regulator clock time

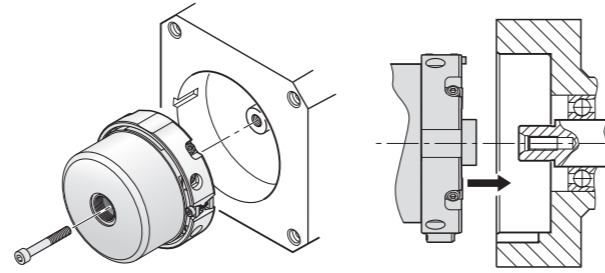
⁵⁾ See *Temperature measurement in motors* in the *Encoders for Servo Drives* brochure

⁶⁾ See *General electrical information* in the *Interfaces of HEIDENHAIN Encoders* brochure

Specifications	ECN 1324S singletum	EQN 1336S multitum
Vibration 55 Hz to 2000 Hz Shock 6 ms	$\leq 300 \text{ m/s}^2$ (EN 60068-2-6); 10 Hz to 55 Hz constant over 4.9 mm peak to peak $\leq 2000 \text{ m/s}^2$ (EN 60068-2-27)	
Operating temperature	–30 °C to 100 °C	
Trigger threshold for exceeded temperature error message	117 °C in the scanning ASIC (measuring accuracy of internal temperature sensor: $\pm 2 \text{ K}$ at 117 °C)	
Relative humidity	$\leq 93\%$ (40 °C/21 d as per EN 60068-2-78), condensation excluded	
Protection rating EN 60529	IP40 (read about insulation under <i>Electrical safety</i> in the <i>Interfaces of HEIDENHAIN Encoders</i> brochure; contamination from the ingress of fluids must be avoided)	
Mass	$\approx 0.3 \text{ kg}$	
ID number	1179144-04	1179145-04

Mounting

The shaft of the rotary encoder is pressed onto the motor's drive shaft and fastened with a central screw. It is particularly important to ensure that the positive-locking element of the stator coupling securely engages the corresponding slot in the measured shaft. Use a central screw with material-bonding anti-rotation lock (see *Mounting accessories*). The stator coupling is clamped by means of an axially tightenable screw in a locating hole.



More information:

For the customer-side mounting design, the material specifications for steel apply to the customer-side shaft. For the customer-side stator, the material specifications for aluminum apply.

In addition, take into account the other material properties in the *Encoders for Servo Drives* brochure (ID 208922-xx).

Mounting accessories

Screws

Screws (central screw, mounting screws) are not included in delivery and can be ordered separately.

ECN 1324 S, EQN 1336 S	Central screws for fastening the shaft ¹⁾		Lot size
For tapered shaft 65B	DIN 6912 – M5x50 – 08.8 – MKL	ID 202264-54	10 or 100
For hollow shaft 67M	DIN 6912 – M5x25 – 08.8 – MKL	ID 202264-55	

¹⁾With coating for material bonding anti-rotation lock

Please note the information on screws from HEIDENHAIN in the *Encoders for Servo Drives* brochure, under the heading *Rotary encoders with functional safety* in the chapter *General mechanical information*.

Mounting aid

To avoid damage to the cable, use the mounting aid to connect and disconnect the cable assembly. The pulling force must be applied solely to the connector and not to the wires.

ID 1075573-01

For further mounting information and mounting aids, please refer to the relevant mounting instructions and the *Encoders for Servo Drives* brochure.



Integrated temperature evaluation

These rotary encoders feature a temperature sensor integrated into the encoder electronics and an evaluation circuit for an external temperature sensor. In both cases, the respective digitized temperature value is transmitted purely serially via the DRIVE-CLiQ interface. Please bear in mind that neither the temperature measurement nor the transmission of the temperature value is safe in terms of functional safety.

The temperature measured by the internal temperature sensor is higher by a device-specific and application-specific amount than the temperature at measuring point M1, as shown in the dimension drawing.

Upon reaching a trigger threshold for the internal temperature sensor, these rotary encoders issue an "Alarm 405" error message. This threshold may vary depending on the encoder and is stated in the specifications. During operation, it is recommended that the temperature be kept adequately below the error-message threshold.

The encoder's intended use requires compliance with the operating temperature at measuring point M1.

DRIVE-CLiQ is a registered trademark of Siemens AG

Temperature measurement in motors

To protect a motor from overloading, the motor manufacturer usually installs a temperature sensor in close proximity to the motor winding.

The PT 1000 or, for example, the KTY 84-130 semiconductor sensor is to be used. For a PT 1000, the following values apply with regard to the accuracy of the evaluation circuit:

±6 K at –40.0 °C to 80 °C
 ±4 K at 80.1 °C to 160 °C
 and ±6 K at 160.1 °C to 200 °C

For a KTY 84-130 semiconductor sensor, the following values apply with regard to the accuracy of the evaluation circuit:

±6 K at –40.0 °C to 80 °C
 ±2 K at 80.1 °C to 160 °C
 and ±6 K at 160.1 °C to 200 °C

The temperature values are transmitted via the DRIVE-CLiQ protocol.

The temperature sensor used is adjustable via Parameter 601 in the configuration software (e.g., Starter software) of the drive.

Electrical connection

Pin layout

16-pin (12+4-pin) PCB connector											
	Power supply				Serial data transmission				Other signals ¹⁾		
12+4	1b	6a	3a	4b	6b	1a	2b	5a	1a ²⁾	1b ²⁾	2a/2b
			U _P	0V	RXP	RXN	TXP	TXN	T+	T-	/

¹⁾ Only with adapter cables inside the motor housing

²⁾ Connections for external temperature sensor; evaluation optimized for KTY 84-130/PT 1000 (see *Temperature measurement in motors* in the *Encoders for Servo Drives* brochure)

Cable shield connected to housing; **U_P** = Power supply voltage

Vacant pins or wires must not be used!

Output cables with a cable length > 0.5 m require strain relief for the cable

HEIDENHAIN

DR. JOHANNES HEIDENHAIN GmbH

Dr.-Johannes-Heidenhain-Str. 5

83301 Traunreut, Germany

☎ +49 8669 31-0

☎ +49 8669 32-5061

info@heidenhain.de

www.heidenhain.com

This Product Information document supersedes all previous editions, which thereby become invalid. The basis for ordering from HEIDENHAIN is always the Product Information document edition valid when the order is placed.



More information:

Comply with the requirements described in the following documents to ensure correct and intended operation:

- Operating Instructions

1380044-xx